

Sound box 05 (SB 05)

Far-field measurement sound box



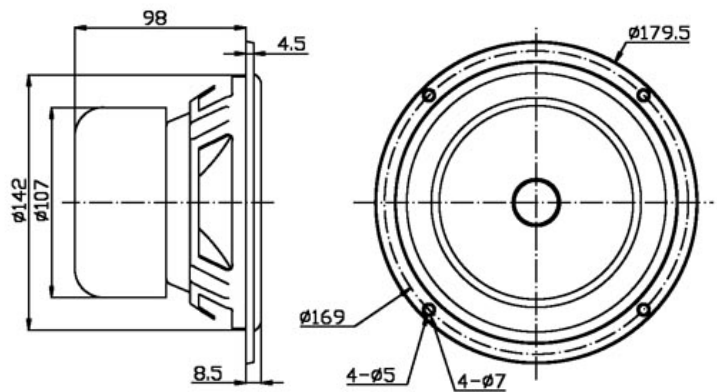
SB 05 is a sound source specially designed for far-field audio testing of consumer electronics production lines. It is low-frequency enhanced and suitable for audio testing with low frequency requirements, such as ANC earphone testing.

The unique compression design of the rear cavity, coupled with the long stroke linear displacement design of the horn monomer, provides a strong guarantee for the full frequency band energy response characteristics.

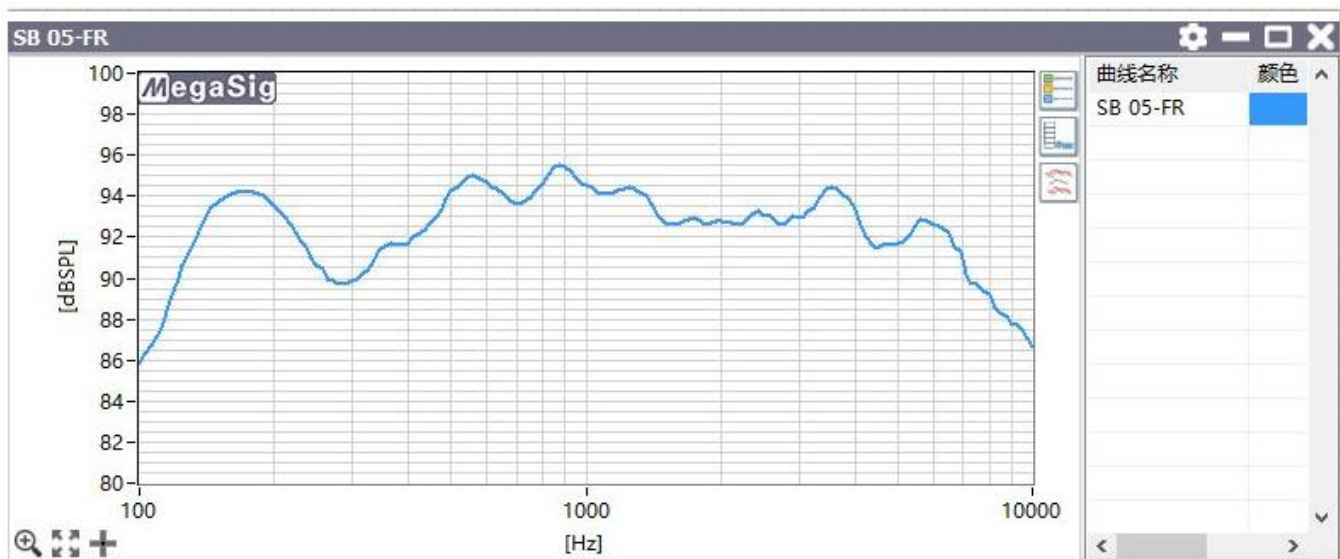
General specifications

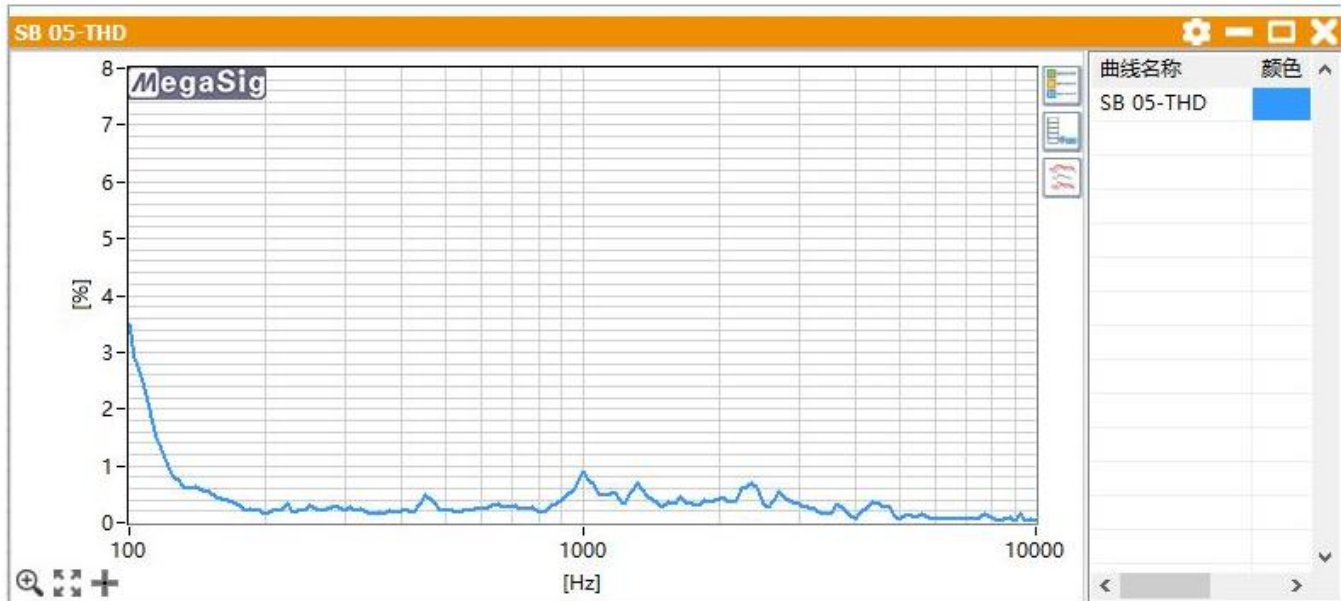
Unit: mm

parameters	
Size	220*320*150mm
F0	65Hz
Rated Impedance	8 Ω
Rated power	45W
Connection type	banana
THD @400mm, 1kHz, 94dB SPL 200~10kHz	< 2%
THD @400mm, 1kHz, 94dB SPL 100~10kHz	< 5%



400mm, 1kHz, 94dB SPL Typical FR & THD





MegaSig reserves the right to change specifications and accessories without notice.



www.megasig.com

MegaSig Measurement & Control Technology Co.,Ltd

Tel: +86.0755-8950.8393

Fax: +860755-8950.8392

Sale mail: sale@megasig.com

Support mail: support@megasig.com

Add: Room 1002, Unit 2, Building 1, Hongxing Chuangzhi Plaza, Guangming District, Shenzhen, China